

PS460 (B385)

This parts catalog is includes MB No. 1 to 2

PS460 (B385)

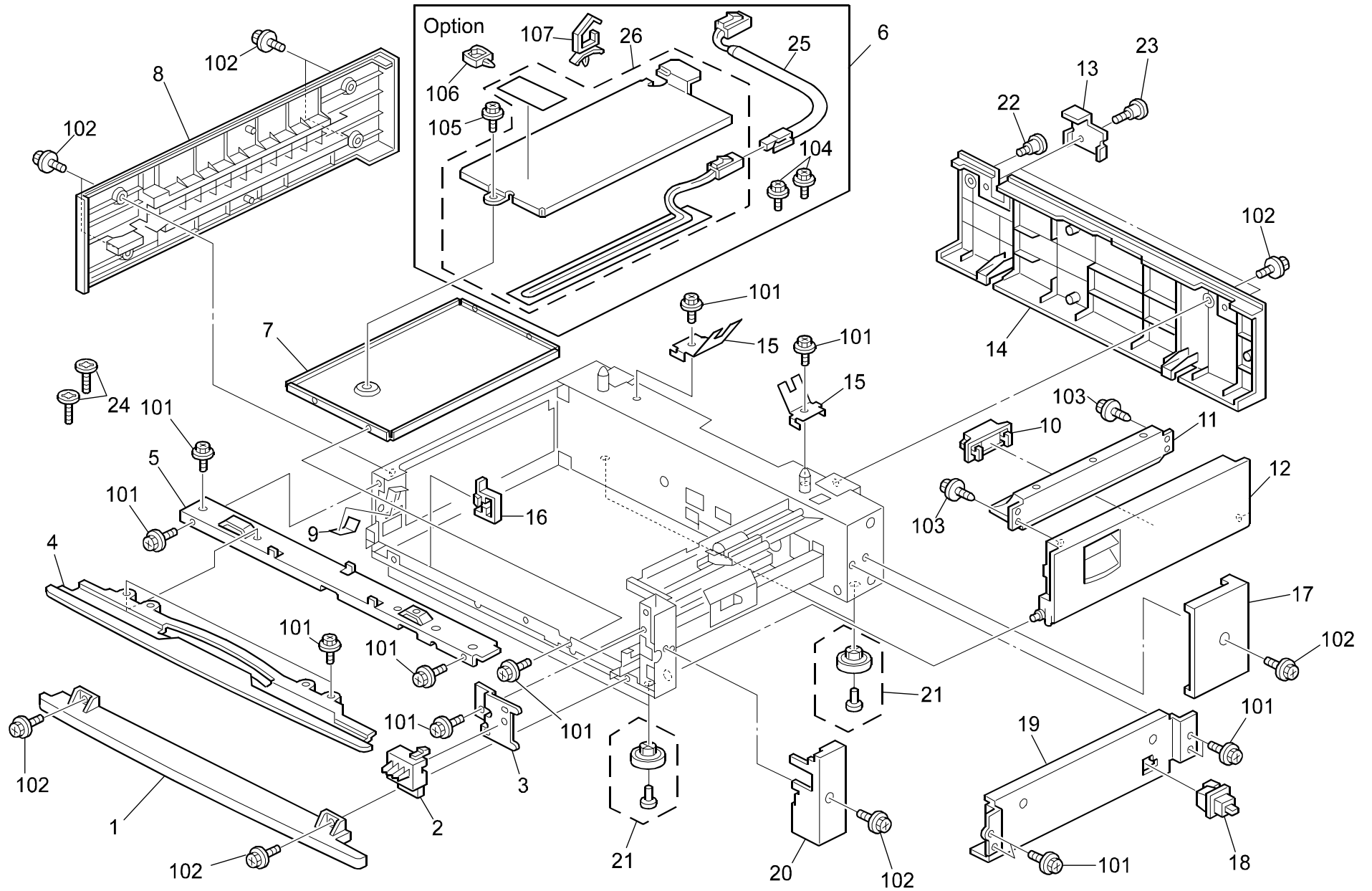
PARTS CATALOG

This catalog gives the numbers and names of parts on this machine.

1.EXTERIOR (B385)	2
2.PAPER TRAY (B385).....	4
3.PAPER FEED SECTION (B385).....	6
4.ELECTRICAL/DRIVE SECTION (B385)	8
5.DECAL AND DOCUMENT (B385)	10
PARTS INDEX	13

October ,16 ' 2003

1.EXTERIOR (B385)

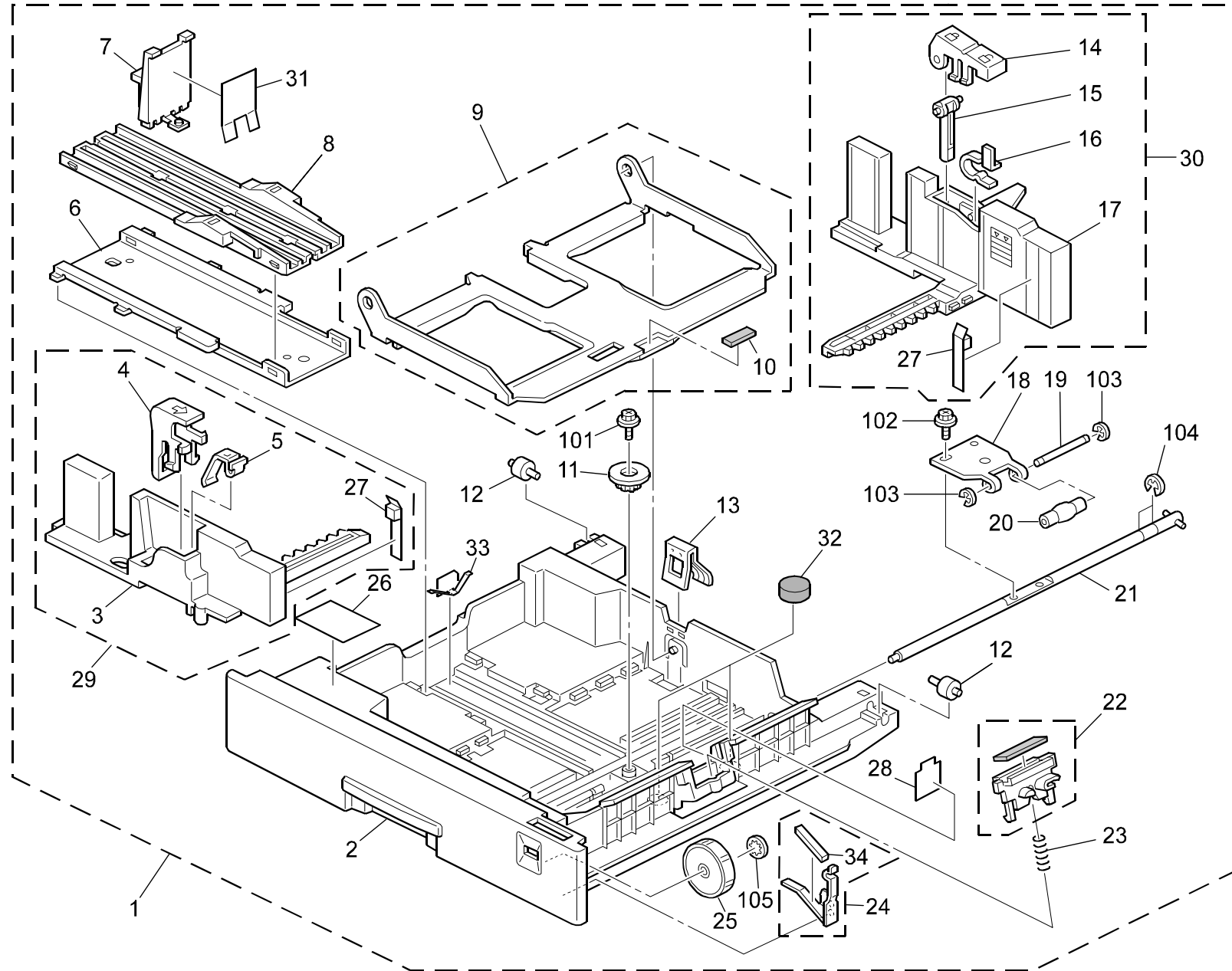


1.EXTERIOR (B385)

Index No.	Part No.	Description	Q'ty Per Assembly
1	B385 1267	Front Lower Cover	1
2	G020 2620	Push Switch - Paper Size	1
3	B385 1123	Bracket - Paper Size Switch	1
4	B384 1208	Front Upper Cover	1
5	B385 1106	Upper Front Stay	1
6	B385 6300	Tray Heater	1
7	B385 1136	Tray Heater Bracket	1
8	B385 1262	Left Cover	1
9	A860 1195	Film - Guard	1
10	AG07 1010	Magnet Catch	1
11	A860 2620	Guide Plate - Entrance	1
12	B385 1251	Vertical Transport Door	1
13	A860 6140	Bracket - Joint	2
14	B385 1261	Rear Cover	1
15	B384 1146	Spring Plate	2
16	A861 1124	Shoe Rail Guide - R	1
17	B385 1264	Right Rear Cover	1
18	AW50 0022	Push Switch	1
19	B385 1108	Right Stay	1
20	B385 1265	Right Front Cover	1
21	AH01 0009	Rubber Pad - H5	4
22	A193 1759	Stepped Screw	1
23	AA14 3508	Flat Knob Screw - M4X10	2
24	AA14 3775	Screw - M4x11	2
25	A861 5370	AC Harness - Heater	1
26	B384 5520	Tray Heater - 15W	1

Index No.	Part No.	Description	Q'ty Per Assembly
101	0451 3006B	Tapping Screw - M3x6	
102	0451 3008H	Tapping Screw - 3x8	
103	0450 3008B	Tapping Screw - M3x8	
104	0594 0080Z	Bolt - M4X8	
105	0950 3006Z	Sem's Screw - M3	
106	1105 0230	Clamp	
107	1105 0310	Harness Clamp - LWS-1S	

2.PAPER TRAY (B385)

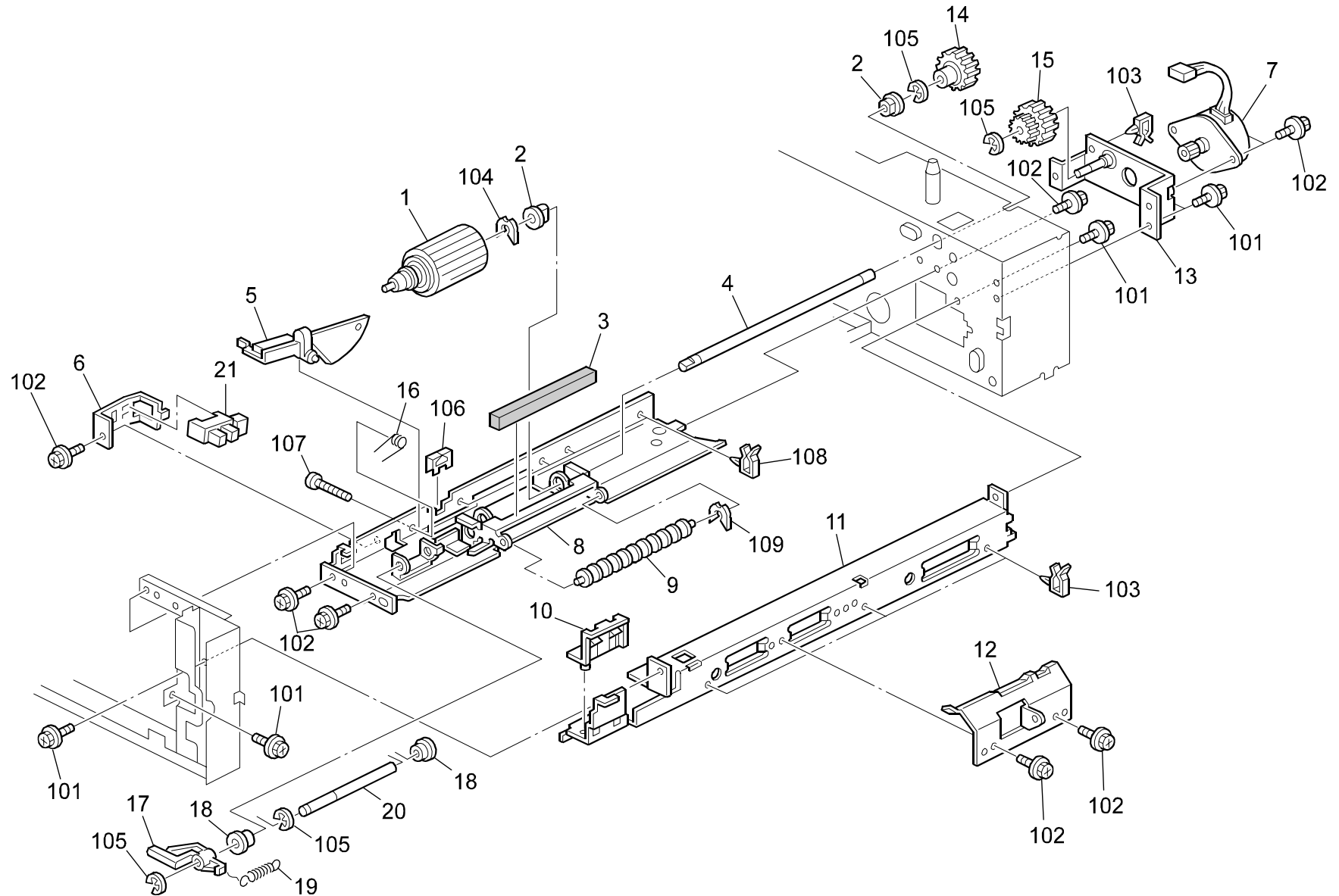


2.PAPER TRAY (B385)

Index No.	Part No.	Description	Q'ty Per Assembly
1	B384 7341	Paper Tray Assembly	1
2	B024 2850	Paper Tray	1
3	B024 2851	Front Side Fence	1
4	A267 2858	Front Stopper Lever	1
5	G697 2677	Spring Plate - Side Fence	1
6	B024 2874	Lower Slider - End Fence	1
7	A267 2853	End Fence	1
8	B024 2866	Upper Slider - End Fence	1
9	B024 2861	Bottom Plate	1
10	A267 2917	Base Pad	1
11	A267 2869	Gear - 16Z	1
12	A232 2987	Roller - Paper Tray	2
13	A267 2878	Spring Plate - Grounding	1
14	A267 2860	Rear Lever Stopper	1
15	A267 2859	Side Fence Stopper	1
16	A267 2857	Spring Plate - Side Fence	1
17	B024 2852	Rear Side Fence	1
18	B024 2856	Lift Plate - Bottom Plate	1
19	A267 2865	Shaft - Roller	1
20	A267 2864	Roller - Bracket	1
21	A267 2854	Shaft - Tray Raising	1
22	A860 2831	Friction Pad	1
23	A267 2834	Compression Spring - Friction Pad	1
24	A267 2870	Spring Plate	1
25	B024 7343	Paper Size Detector	1
26	B027 2892	Paper Set Decal	1
27	A267 2897	Shield Side Fence	2
28	A267 2898	Sheet Holder - Paper Tray	1
29	B024 2884	Front Side Fence Assembly	1
30	B024 2885	Rear Side Fence Assembly	1
31	A267 2900	Seal - End Fence	1
32	A267 2899	Sponge - Paper Feed Tray	2
33	A267 2875	Spring Plate - Slider	1
34	A267 2918	Sponge - Spring Plate	1

Index No.	Part No.	Description	Q'ty Per Assembly
101	0450 4008B	Tapping Screw - 4x8	
102	0354 0060B	Screw - M4X6	
103	0720 0030E	Retaining Ring - M3	
104	0720 0060E	Retaining Ring - M6	
105	0805 0083	Retaining Ring - M4	

3.PAPER FEED SECTION (B385)

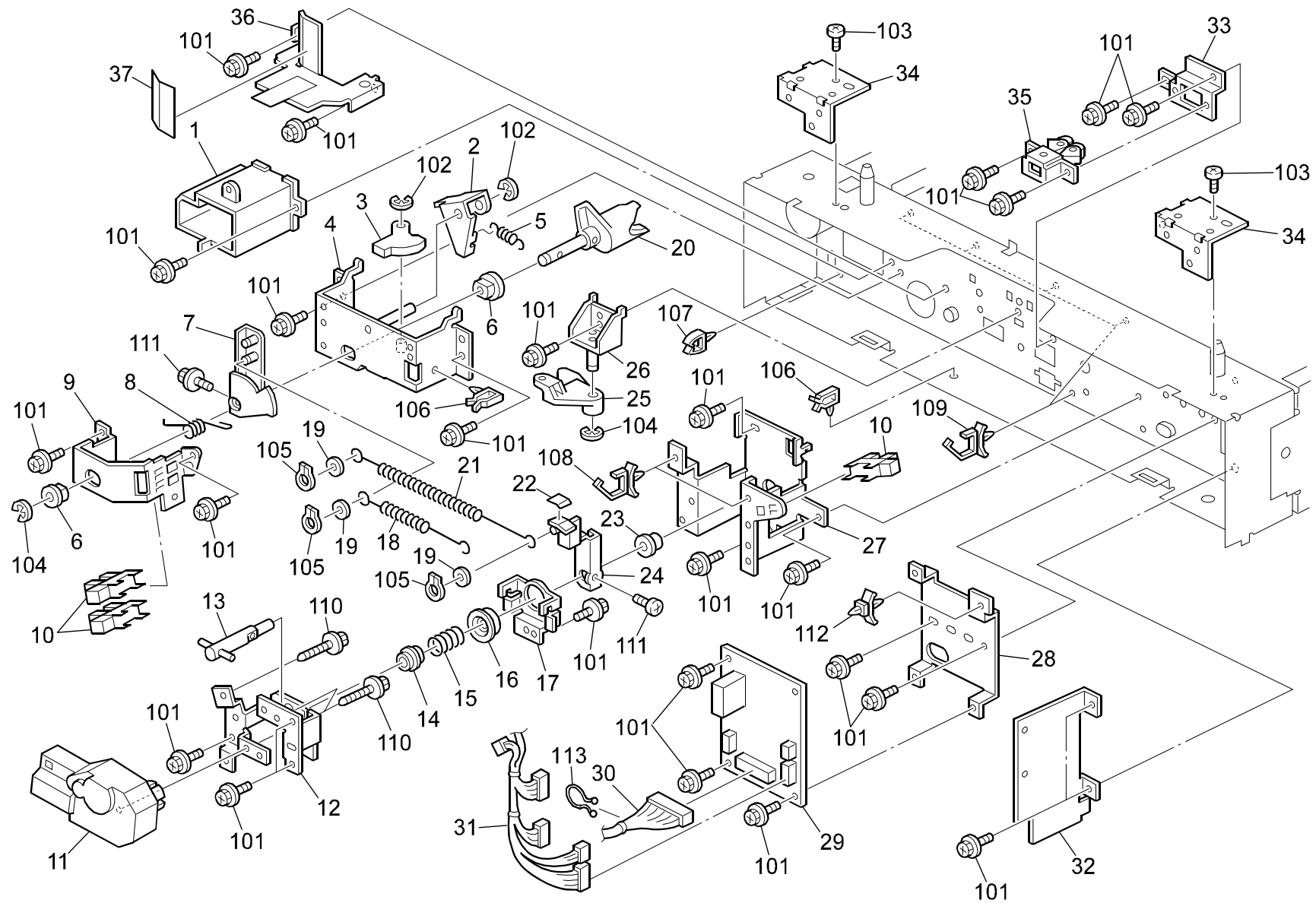


3.PAPER FEED SECTION (B385)

Index No.	Part No.	Description	Q'ty Per Assembly
1	A267 2751	Paper Feed Roller	1
2	5053 0447	Bushing - 6mm	2
3	B385 2559	Cushion Guide Plate	1
	A860 2559	O/O MB1	
4	AA14 1085	Shaft - Paper Feed	1
5	A267 2803	Feeler - Paper End Sensor	1
6	B024 2805	Bracket - Paper End Sensor	1
7	AX06 0183	DC Stepper Motor - 26.4W	1
8	B384 2555	Feed Roller Bracket	1
9	A860 2560	Roller - Guide	1
10	A267 2588	Shoe - Right Rail	1
11	B384 1090	Right Guide Rail	1
12	B024 2842	Bracket - Friction Pad Guide	1
13	B385 2825	Feed Motor Bracket	1
14	AB01 1207	Gear - 27Z	1
15	AB01 7505	Gear - 16Z/47Z	1
16	A860 2558	Torsion Spring Lever	1
17	A267 2786	Grip Shaft Lock	1
18	A267 2847	Bushing - Motor Shaft	2
19	A267 2787	Tension Spring - Shaft Lock	1
20	A267 2785	Shaft Lock - Paper Feed Roller	1
21	AW02 0075	Photointerruptor	1

Index No.	Part No.	Description	Q'ty Per Assembly
101	0802 5276	Tapping Screw With Washer - M3x6	
102	0451 3006B	Tapping Screw - M3x6	
103	1105 0267	Harness Clamp - YMC-10-0	
104	0805 0089	Retaining Ring - M4	
105	0720 0040E	Retaining Ring - M4	
106	1105 0328	Harness Clamp - ES-0505	
107	0314 0140B	Philips Pan Head Screw - M4x14	
108	1105 0283	Clamp	
109	0805 0092	Retaining Ring - 3m	

4.ELECTRICAL/DRIVE SECTION (B385)



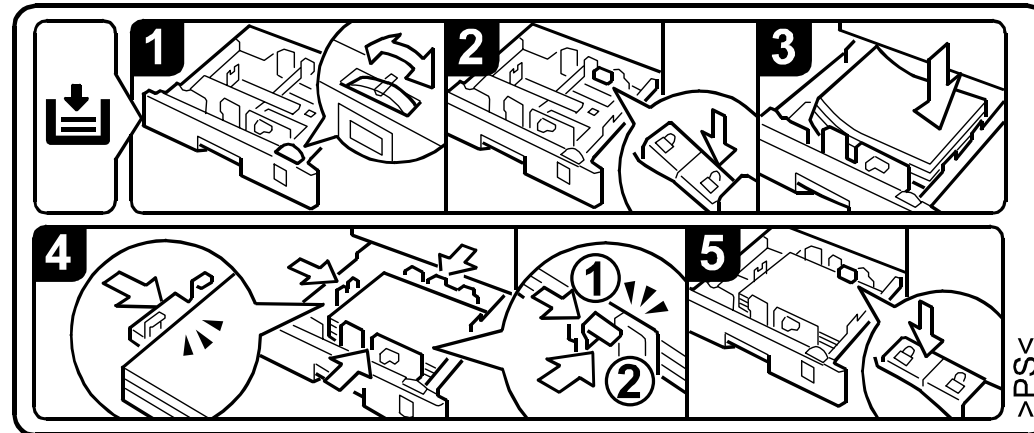
4.ELECTRICAL/DRIVE SECTION (B385)

Index No.	Part No.	Description	Q'ty Per Assembly
1	A267 2596	Right Drive Guard	1
2	B024 2765	Pressure Lever Stopper	1
3	A267 2770	Vibrating Plate	1
4	B024 2815	Main Bracket - Pressure Lever	1
5	A267 2766	Tension Spring - Stopper	1
6	AA08 2070	Bushing - 8x16x7	2
7	B384 2893	Actuator - Paper Height Sensor	1
8	A267 2767	Torsion Spring - Joint	1
9	B024 2773	Lift Sensor Bracket	1
10	AW02 0075	Photointerruptor	3
11	AX04 0119	DC Motor - 1.92W	1
12	B384 2726	Lift Motor Bracket	1
13	A267 2840	Shaft - DC Motor	1
14	A267 2845	Bushing - DC Motor Shaft	1
15	A267 2844	Compression Spring - Return	1
16	A267 2846	Holder - Spring	1
17	B384 2728	Spring Holder Bracket	1
18	A267 2772	Tension Spring - Sub	1
19	AA13 2207	Spacer - M7	3
20	A267 2756	Joint - Shaft	1
21	A267 2771	Tension Spring - Main	1
22	A860 2715	Shutter - Photointerruptor	1
23	A267 2847	Bushing - Motor Shaft	1
24	B384 2895	Lower Lever - Lift Motor	1
25	A267 2794	Pressure Lever - Sub	1
26	B024 2781	Pressure Lever Bracket	1
27	B385 2566	Main Bracket - Lift Motor	1
28	B385 1140	Interface Board Bracket	1
29	B385 5110	Interface Board	1
	A861 5110	O/O MB2	
30	A861 5320	DC Harness - Interface	1
31	A861 5300	DC Main Harness	1
32	B385 1129	Interface Bracket Guard	1
33	B024 2908	Tray Holder Bracket	1
34	B385 1125	Rear Cover Bracket	1

Index No.	Part No.	Description	Q'ty Per Assembly
35	G697 1082	Tray Holder	1
36	B385 1186	Spring Guard	1
37	A860 1197	Film - Guard	1
101	0451 3006B	Tapping Screw - M3x6	
102	0720 0040E	Retaining Ring - M4	
103	0453 3006B	Tapping Screw - M3x6	
104	0720 0060E	Retaining Ring - M6	
105	0727 0060B	Retaining Ring C - 6	
106	1105 0267	Harness Clamp - YMC-10-0	
107	1105 0230	Clamp	
108	1105 0291	Harness Clamp - LWS-3S	
109	1105 0310	Harness Clamp - LWS-1S	
110	0450 4020B	Tapping Screw - 4x20	
111	0801 0150	Philips Screw - M4x8	
112	1105 0192	Locking Support	
113	1105 0510	Clamp - OLS-115	

5.DECAL AND DOCUMENT (B385)

1



5.DECAL AND DOCUMENT (B385)

Index No.	Part No.	Description	Q'ty Per Assembly
1	B027 2892	Paper Set Decal	1

Index No.	Part No.	Description	Q'ty Per Assembly
-----------	----------	-------------	-------------------

Parts Index

PM Parts Index

Section Name	Part No.	Description in Service Manual	Description in Parts Catalog	Q'ty Per Assembly	Page and Index No.
PAPER TRAY (B385)	A860 2831	Friction Pad	Friction Pad	1	5- 22
PAPER FEED SECTION (B385)	A267 2751	Paper Feed Roller	Paper Feed Roller	1	7- 1

Parts Index

Part No.	Description	Page and Index No.
B385 1106	Upper Front Stay	3 - 5
B385 1108	Right Stay	3 - 19
B385 1123	Bracket - Paper Size Switch	3 - 3
B385 1125	Rear Cover Bracket	9 - 34
B385 1129	Interface Bracket Guard	9 - 32
B385 1136	Tray Heater Bracket	3 - 7
B385 1140	Interface Board Bracket	9 - 28
B385 1186	Spring Guard	9 - 36
B385 1251	Vertical Transport Door	3 - 12
B385 1261	Rear Cover	3 - 14
B385 1262	Left Cover	3 - 8
B385 1264	Right Rear Cover	3 - 17
B385 1265	Right Front Cover	3 - 20
B385 1267	Front Lower Cover	3 - 1
B385 2559	Cushion Guide Plate	7 - 3
B385 2566	Main Bracket - Lift Motor	9 - 27
B385 2825	Feed Motor Bracket	7 - 13
B385 5110	Interface Board	9 - 29
B385 6300	Tray Heater	3 - 6

Part No.	Description	Page and Index No.
A193 1759	Stepped Screw	3 - 22
A232 2987	Roller - Paper Tray	5 - 12
A267 2588	Shoe - Right Rail	7 - 10
A267 2596	Right Drive Guard	9 - 1
A267 2751	Paper Feed Roller	7 - 1
A267 2756	Joint - Shaft	9 - 20
A267 2766	Tension Spring - Stopper	9 - 5
A267 2767	Torsion Spring - Joint	9 - 8
A267 2770	Vibrating Plate	9 - 3
A267 2771	Tension Spring - Main	9 - 21
A267 2772	Tension Spring - Sub	9 - 18
A267 2785	Shaft Lock - Paper Feed Roller	7 - 20
A267 2786	Grip Shaft Lock	7 - 17
A267 2787	Tension Spring - Shaft Lock	7 - 19
A267 2794	Pressure Lever - Sub	9 - 25
A267 2803	Feeler - Paper End Sensor	7 - 5
A267 2834	Compression Spring - Friction Pad	5 - 23
A267 2840	Shaft - DC Motor	9 - 13
A267 2844	Compression Spring - Return	9 - 15
A267 2845	Bushing - DC Motor Shaft	9 - 14
A267 2846	Holder - Spring	9 - 16
A267 2847	Bushing - Motor Shaft	9 - 23
A267 2847	Bushing - Motor Shaft	7 - 18
A267 2853	End Fence	5 - 7
A267 2854	Shaft - Tray Raising	5 - 21
A267 2857	Spring Plate - Side Fence	5 - 16
A267 2858	Front Stopper Lever	5 - 4
A267 2859	Side Fence Stopper	5 - 15
A267 2860	Rear Lever Stopper	5 - 14
A267 2864	Roller - Bracket	5 - 20
A267 2865	Shaft - Roller	5 - 19
A267 2869	Gear - 16Z	5 - 11
A267 2870	Spring Plate	5 - 24
A267 2875	Spring Plate - Slider	5 - 33
A267 2878	Spring Plate - Grounding	5 - 13

Part No.	Description	Page and Index No.
A267 2897	Shield Side Fence	5 - 27
A267 2898	Sheet Holder - Paper Tray	5 - 28
A267 2899	Sponge - Paper Feed Tray	5 - 32
A267 2900	Seal - End Fence	5 - 31
A267 2917	Base Pad	5 - 10
A267 2918	Sponge - Spring Plate	5 - 34
A860 1195	Film - Guard	3 - 9
A860 1197	Film - Guard	9 - 37
A860 2558	Torsion Spring Lever	7 - 16
A860 2559	O/O MB1	7 - 3
A860 2560	Roller - Guide	7 - 9
A860 2620	Guide Plate - Entrance	3 - 11
A860 2715	Shutter - Photointerruptor	9 - 22
A860 2831	Friction Pad	5 - 22
A860 6140	Bracket - Joint	3 - 13
A861 1124	Shoe Rail Guide - R	3 - 16
A861 5110	O/O MB2	9 - 29
A861 5300	DC Main Harness	9 - 31
A861 5320	DC Harness - Interface	9 - 30
A861 5370	AC Harness - Heater	3 - 25
B024 2765	Pressure Lever Stopper	9 - 2
B024 2773	Lift Sensor Bracket	9 - 9
B024 2781	Pressure Lever Bracket	9 - 26
B024 2805	Bracket - Paper End Sensor	7 - 6
B024 2815	Main Bracket - Pressure Lever	9 - 4
B024 2842	Bracket - Friction Pad Guide	7 - 12
B024 2850	Paper Tray	5 - 2
B024 2851	Front Side Fence	5 - 3
B024 2852	Rear Side Fence	5 - 17
B024 2856	Lift Plate - Bottom Plate	5 - 18
B024 2861	Bottom Plate	5 - 9
B024 2866	Upper Slider - End Fence	5 - 8
B024 2874	Lower Slider - End Fence	5 - 6
B024 2884	Front Side Fence Assembly	5 - 29
B024 2885	Rear Side Fence Assembly	5 - 30

Part No.	Description	Page and Index No.
B024 2908	Tray Holder Bracket	9 - 33
B024 7343	Paper Size Detector	5 - 25
B027 2892	Paper Set Decal	11 - 1
B027 2892	Paper Set Decal	5 - 26
B384 1090	Right Guide Rail	7 - 11
B384 1146	Spring Plate	3 - 15
B384 1208	Front Upper Cover	3 - 4
B384 2555	Feed Roller Bracket	7 - 8
B384 2726	Lift Motor Bracket	9 - 12
B384 2728	Spring Holder Bracket	9 - 17
B384 2893	Actuator - Paper Height Sensor	9 - 7
B384 2895	Lower Lever - Lift Motor	9 - 24
B384 5520	Tray Heater - 15W	3 - 26
B384 7341	Paper Tray Assembly	5 - 1
G020 2620	Push Switch - Paper Size	3 - 2
G697 1082	Tray Holder	9 - 35
G697 2677	Spring Plate - Side Fence	5 - 5

Part No.	Description	Page and Index No.
AA08 2070	Bushing - 8x16x7	9 - 6
AA13 2207	Spacer - M7	9 - 19
AA14 1085	Shaft - Paper Feed	7 - 4
AA14 3508	Flat Knob Screw - M4X10	3 - 23
AA14 3775	Screw - M4x11	3 - 24
AB01 1207	Gear - 27Z	7 - 14
AB01 7505	Gear - 16Z/47Z	7 - 15
AG07 1010	Magnet Catch	3 - 10
AH01 0009	Rubber Pad - H5	3 - 21
AW02 0075	Photointerruptor	7 - 21
AW02 0075	Photointerruptor	9 - 10
AW50 0022	Push Switch	3 - 18
AX04 0119	DC Motor - 1.92W	9 - 11
AX06 0183	DC Stepper Motor - 26.4W	7 - 7

Part No.	Description	Page and Index No.
0314 0140B	Philips Pan Head Screw - M4x14	7 - 107
0354 0060B	Screw - M4X6	5 - 102
0450 3008B	Tapping Screw - M3x8	3 - 103
0450 4008B	Tapping Screw - 4x8	5 - 101
0450 4020B	Tapping Screw - 4x20	9 - 110
0451 3006B	Tapping Screw - M3x6	7 - 102
0451 3006B	Tapping Screw - M3x6	9 - 101
0451 3006B	Tapping Screw - M3x6	3 - 101
0451 3008H	Tapping Screw - 3x8	3 - 102
0453 3006B	Tapping Screw - M3x6	9 - 103
0594 0080Z	Bolt - M4X8	3 - 104
0720 0030E	Retaining Ring - M3	5 - 103
0720 0040E	Retaining Ring - M4	9 - 102
0720 0040E	Retaining Ring - M4	7 - 105
0720 0060E	Retaining Ring - M6	5 - 104
0720 0060E	Retaining Ring - M6	9 - 104
0727 0060B	Retaining Ring C - 6	9 - 105
0801 0150	Philips Screw - M4x8	9 - 111
0802 5276	Tapping Screw With Waser - M3x6	7 - 101
0805 0083	Retaining Ring - M4	5 - 105
0805 0089	Retaining Ring - M4	7 - 104
0805 0092	Retaining Ring - 3m	7 - 109
0950 3006Z	Sem's Screw - M3	3 - 105
1105 0192	Locking Support	9 - 112
1105 0230	Clamp	9 - 107
1105 0230	Clamp	3 - 106
1105 0267	Harness Clamp - YMC-10-0	7 - 103
1105 0267	Harness Clamp - YMC-10-0	9 - 106
1105 0283	Clamp	7 - 108
1105 0291	Harness Clamp - LWS-3S	9 - 108
1105 0310	Harness Clamp - LWS-1S	9 - 109
1105 0310	Harness Clamp - LWS-1S	3 - 107
1105 0328	Harness Clamp - ES-0505	7 - 106
1105 0510	Clamp - OLS-115	9 - 113

Part No.	Description	Page and Index No.
5053 0447	Bushing - 6mm	7 - 2

Part No.	Description	Page and Index No.